

DUCAR

Diagramme de pièces *Parts diagram*

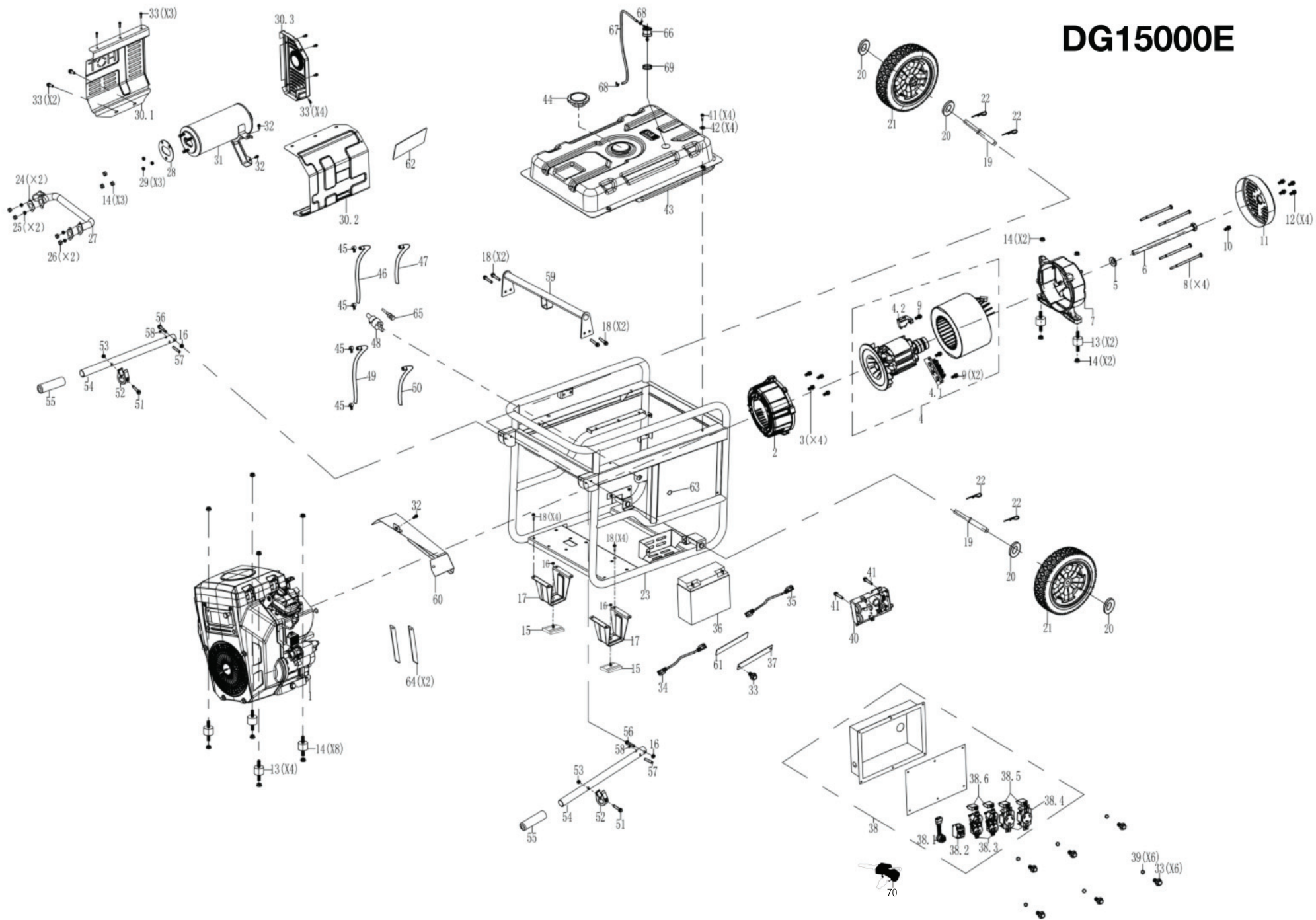


Le modèle peut différer légèrement de la photo / *The model may differ slightly from the picture*

DG15000E Génératrice *Generator*

MTI
CANADA

DG15000E



Spare parts for the DG15000E generator			
NO	Code	Description	Quantity
2	DUP533602	FRONT COVER,ALTERNATOR	1
3	DUP91354	BOLTM 10*1.25*25	4
4	DUP750009	ALTERNATOR ASSEMBLY	1
4,1	DUP6188	GROUNDING POST COMP	1
4,2	DUP6186	CARBON BRUSH COMP	1
5	DUP94224	WASHER,CRANKSHAFT	1
6	DUP91725	BOLT M10*1.25*295	1
7	DUP533603	BRACKET,ALTERNATOR	1
8	DUP91623	SCREW, STATOR M8*1.25*215	4
9	DUP91323	BOLT M5*16	3
10	DUP91322	BOLT M5*12	1
11	DUP533304-026	END COVER,ALTERNATOR	1
12	DUP91325	BOLT M6*12	4
13	DUP501041	ISOLATOR A	6
14	DUP90013	NUT M10	15
15	DUP531905	VIBRATION ISOLATE	2
16	DUP90026	NUT, HEX	4
17	DUP525905-010	BRACKET,FRAME	2
18	DUP91343	BOLT M8*16	12
19	DUP501137	AXLE	2
20	DUP94213	FLAT WASHER	4
21	DUP523623	WHEEL	2
22	DUP548302	COTTER PIN	4
23	DUP770011-010	FRAME	1
24	DUP96140	GASKET,EXHAUST	2
25	DUP94206	SPRING WASHER φ8	4
26	DUP90011	NUT M8	4
27	DUP95214	EXHAUST PIPE	1
28	DUP96149	GASKET,EXHAUST PIPE	1
29	DUP94201	SPRING WASHER φ10	3
30,1	DUP515902	SHIELD,OUT MUFFLER	1
30,2	DUP515902	SHIELD,OUT MUFFLER	
30,3	DUP515902	SHIELD,OUT MUFFLER	
31	DUP705004	MUFFLER COMP	1
32	DUP91345	BOLT	3
33	DUP91327	BOLT	16
34	DUP512005	POSITIVE LEAD	1
35	DUP512015	NEGATIVE LEAD	1
36	DUP511015	BATTERY	1
37	DUP501135-010	PLATE,BATTERY	1
38	DUP713930	CONTROL PANEL ASSY.	1
38,1	DUP34203-001	SWITCH ASSEMBLY	1
38,2	DUP9023	CIRCUIT BREAKER 2P/50A/50	1
38,3	DUP9024	DOUBLE RECEPTACLE,AMERICA	2

38,4	DUP9025		2
38,5	DUP599933	THERMAL PROTECTOR 30A	2
38,6	DUP599919	THERMAL PROTECTOR 20A	2
38,7	DUP6494	SWITCH ASSEMBLY, 5 WIRE	1
39	DUP96120	WASHER	6
40	DUP534901	AUTOMATIC VOLTAGE REGULATOR	1
41	DUP91306	BOLT M6*25	6
42	DUP96811	WASHER, FUEL TANK	4
43	DUP700903-026	FUEL TANK	1
44	DUP519406	FUEL TANK CAP COMP	1
45	DUP94412	CLIP,FUEL LINE	4
46	DUP95488	FUEL LINE \varnothing 12.5x \varnothing 6.2x430mm	1
47	DUP94431	TUBE,GLASS FIBER 350mm	1
48	DUP518401	FUEL COCK	1
49	DUP95489	FUEL LINE \varnothing 12.5x \varnothing 6.2x920mm	1
50	DUP94433	TUBE,GLASS FIBER <P17x700mm	1
51	DUP91339	BOLT M6*50	2
52	DUP528606	CARD,RUBBUR	2
53	DUP90016	NUTM6	2
54	DUP526614-010	HANDLE ASSEMBLY	2
55	DUP528501	RUBBER,HANDLE	2
56	DUP91363	BOLT M8*50	2
57	DUP527406	PIN, HANDLE	2
58	DUP527401	RUBBER HANDLE	2
59	DUP533604-010	HOOK	1
60	DUP501131	SHROUD	1
61	DUP599702	GASKET,battery retaining bracket	1
62	DUP501139	INSULATION,HIGH TEMPERATURE	1
63	DUP518402	PIN, HANDLE	1
64	DUP599601	CLIP,WIRE HARNESS	2
65	DUP599941	CHOKE LEVER	1
66	DUP245405	ONE-WAY VALVE	1
67	DUP95325	CONNECTING PIPE	1
68	DUP94409	CLIP,FUEL LINE	2
69	DUP94418	GROMMET	1
70	DUP6578	KEY	2
71	DUP325101	SAFETY MODULE	2