

DUCAR

Parts diagram



The model may differ slightly from the picture

DUELT42-5 Little Beaver 42" Lawn tractor

MTI

CANADA

www.mticanada.ca

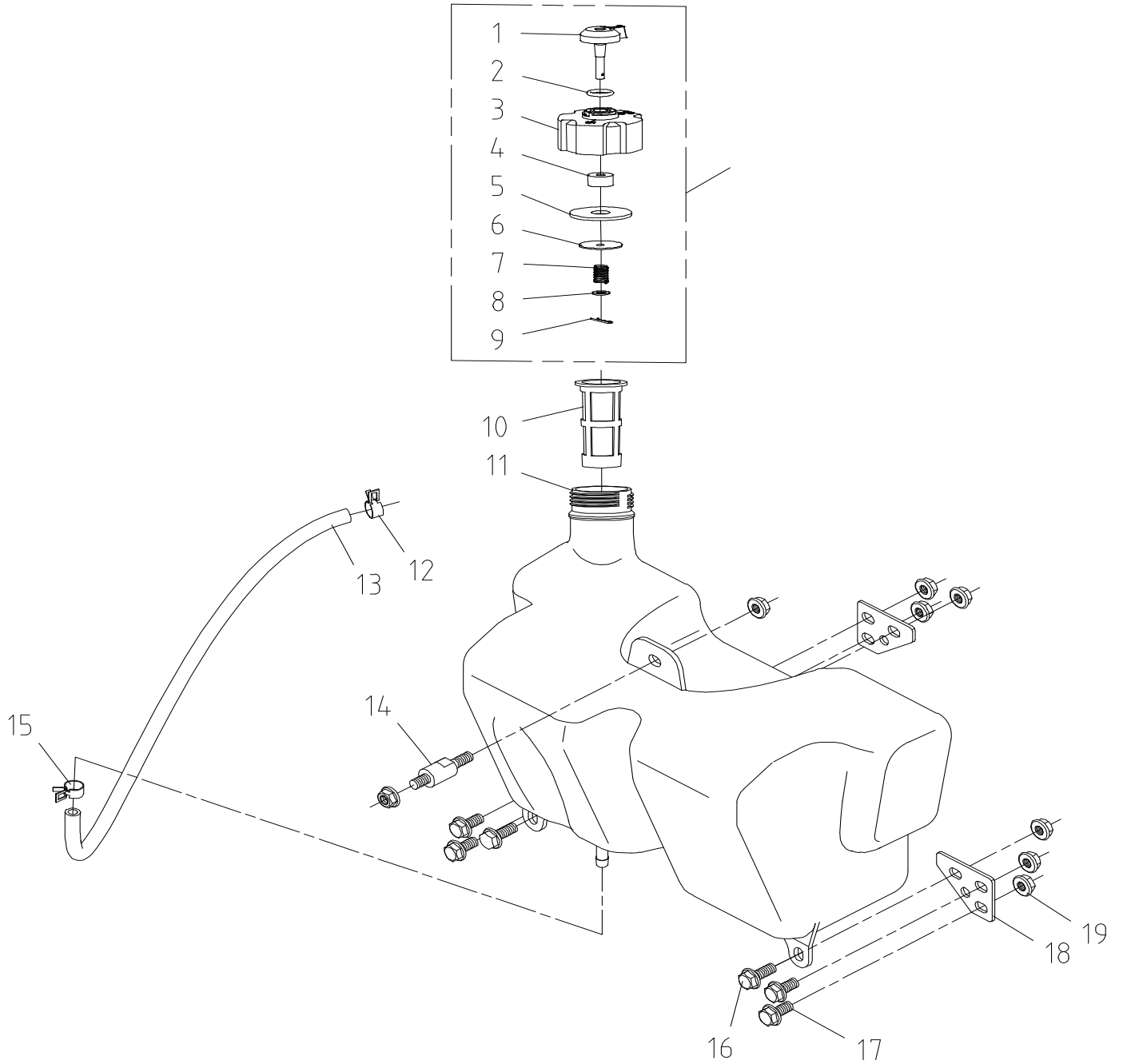
INDEX

ENGINE (LONCIN) CONTROL, EXHAUST AND PULLEY	Page 3
FUEL TANK	Page 5
MUFFLE SHIELD	Page 7
BELT FOR DRIVE	Page 9
CLUTCH FOR CUTTING	Page 11
FRAME	Page 13
FRONT BRIDGE	Page 15
REAR BRIDGE	Page 17
STEERING	Page 19
SHIFT	Page 21
BRAKE	Page 23
SEAT	Page 25
LIFT	Page 27
DECK AND BLADES	Page 29
HOOD COVER	Page 31
DISCHARGE GUARD AND BELT GUARD	Page 33
MULCH COVER	Page 35
ELECTRIC (LONCIN)	Page 37

ENGINE (LONCIN) CONTROL, EXHAUST AND PULLEY

	Part number	Part name	Quantity
1	DUP01.01.1454	SCREW M4×16	2
2	DUP01.04.1143	WASHER 4	2
3	DUP00.06.02.016	THROTTLE CABLE	1
4	DUP02.35.21	CLIP	1
5	DUP00.06.02.049 / 00.06.02.050	ENGINE	1
6	DUP01.02.0397	TAPPING SCREW 3/8"-16-1 1/4"	3
7	DUP01.06.0140	FLAT KEY 6.35×30	1
8	DUP00.06.02.212	STEP PULLEY	1
9	DUP01.04.0301	WASHER 6	1
10	DUP01.03.0233	FLANGE LOCK NUT M6	1
11	DUP01.02.0734	BOLT 7/16"-20 - 1"	1
12	DUP01.04.0145	Spring washer 7/16"	1
13	DUP01.01.4400	Screw M8X20	1
14	DUP01.04.1321	WASHER 8	2
15	DUP01.03.0093	FLANGE LOCK NUT M8	1
16	DUP01.02.0173	FLANGE BOLT 8×55	1
17	DUP00.08.01.008	GASKET	1
18	DUP00.06.02.115	EXHAUST PIPE	1
19	DUP01.04.0142	Spring washer 5/16"	2
20	DUP01.01.1834	SCREW 5/16"-18 -3/4"	2

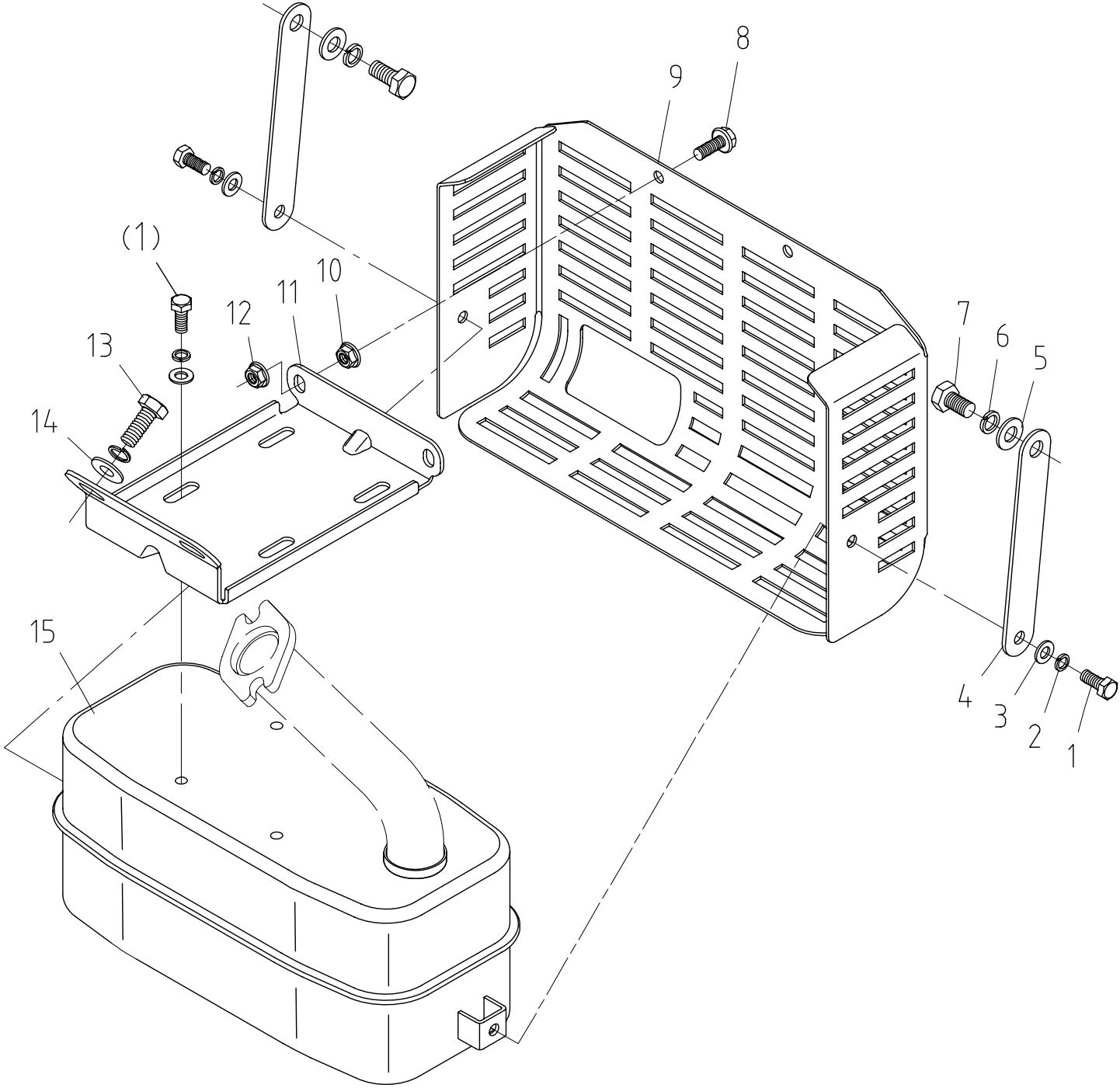
FUEL TANK



FUEL TANK

	Part number	Part name	Quantity
1	DUP04.05.01.01106	FUEL TANK CAP LEVER	1
2	DUP03.03.1.019	O RING	1
3	DUP04.05.01.01006	FUEL TANK CAP	1
4	DUP04.03.0002608	FUEL TANK CAP FILTER	1
5	DUP03.03.1.018	FUEL TANK CAP SEAL	1
6	DUP03.03.1.017	GASKET 6×25×1.5	1
7	DUP06.03.118	FUEL TANK CAP SPRING	1
8	DUP01.04.0123	WASHER 5	1
9	DUP06.03.117	SPLIT PIN	1
10	DUP04.05.01.05806	FILTER CAP	1
11	DUP04.07.02.06808	FUEL TANK	1
12	DUP06.03.145	CLIP φ10	1
13	DUP03.03.2.002	FUEL HOSE	1
14	DUP01.02.1092	FUEL TANK BOLT	1
15	DUP06.03.145	CLIP φ10	1
16	DUP01.02.0363	FLANGE BOLT M8×20	2
17	DUP01.02.0581	BOLT M8×16	4
18	DUP00.06.02.116	FUEL TANK SUPPORT	2
19	DUP01.03.0093	FLANGE LOCK NUT M8	8
20	DUP12.01.0037	FUEL TANK CAP ASY	

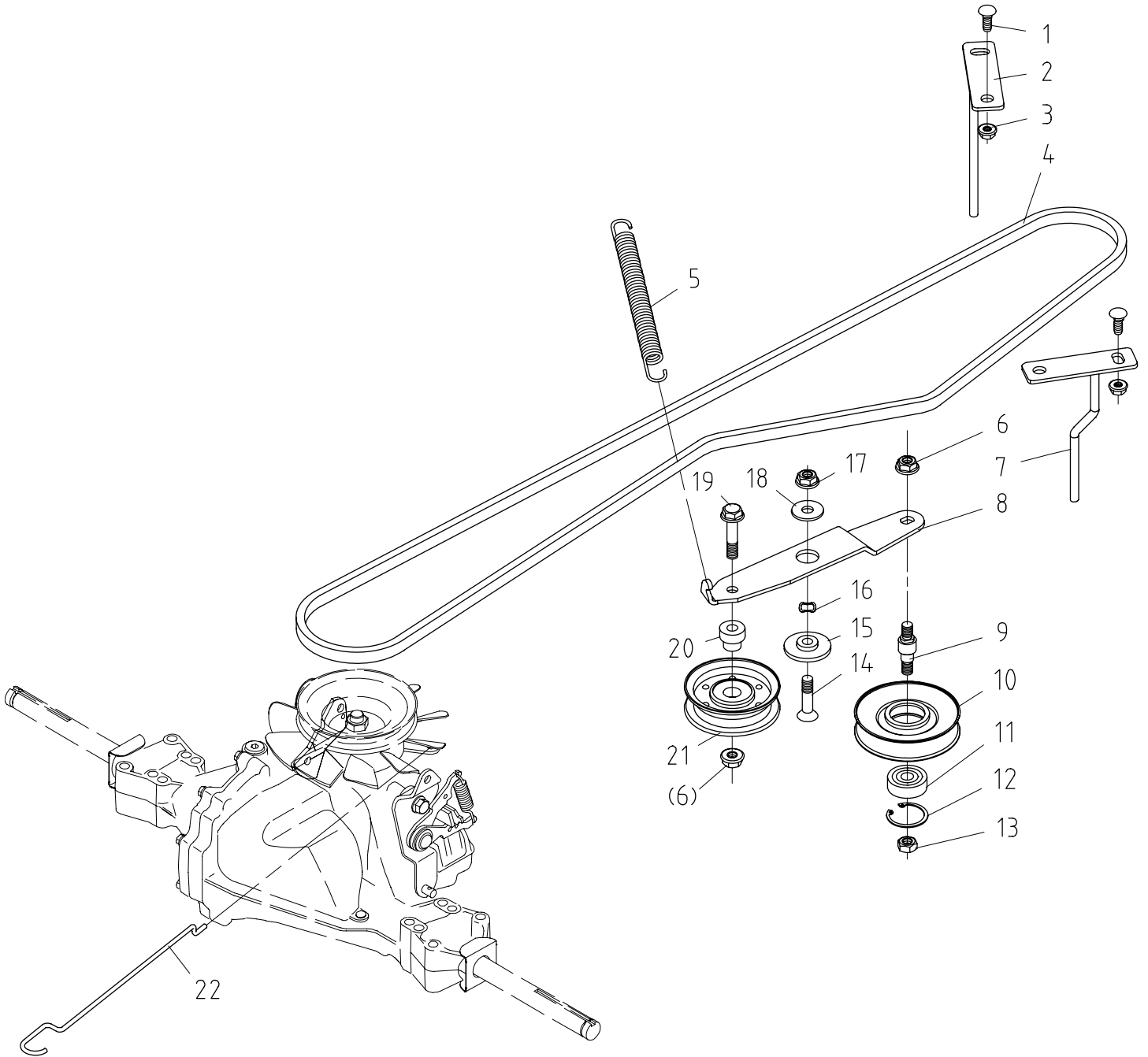
MUFFLE SHIELD



MUFFLE SHIELD

	Part number	Part name	Quantity
1	DUP01.02.0013	BOLT M6×16	6
2	DUP01.04.0311	SPRING WASHER 6	6
3	DUP01.04.1213	BIG WASHER 6	6
4	DUP00.06.02.100	MUFFLER ROD	2
5	DUP01.04.1321	WASHER 8	2
6	DUP01.04.1163	SPRING WASHER 8	4
7	DUP01.02.0581	BOLT M8×16	2
8	DUP01.02.0011	FLANGE BOLT M6×20	2
9	DUP06.06.617	FRONT SHIELD	1
10	DUP01.03.0353	FLANGE NUT M6	2
11	DUP00.06.02.101	BRACKET	1
12	DUP01.03.0083	FLANGE LOCK NUT M6	2
13	DUP01.02.0363	FLANGE BOLT M8×20	2
14	DUP01.04.1301	BIG WASHER 8	2
15	DUP06.06.708	MUFFLE	1

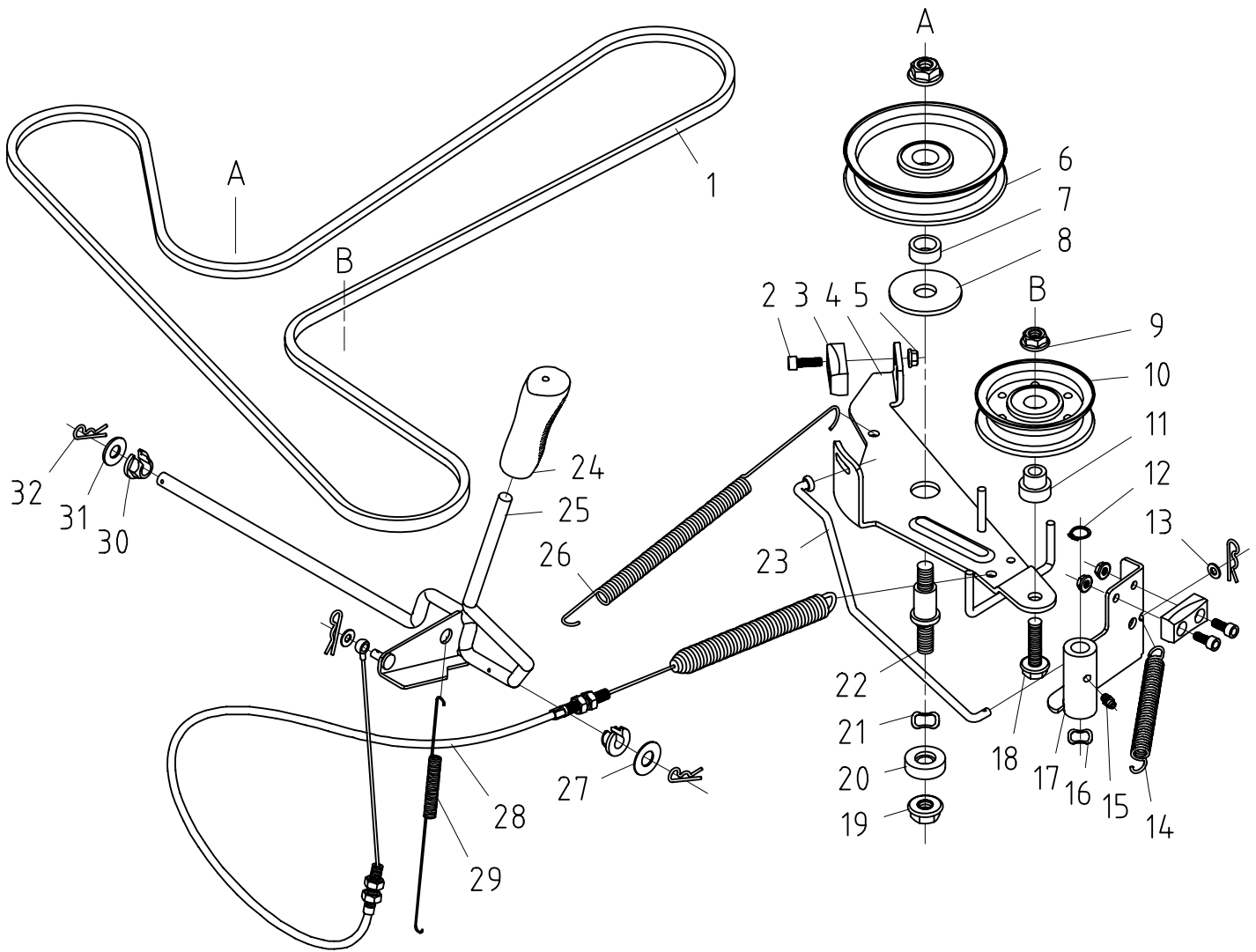
BELT FOR DRIVE



BELT FOR DRIVE

	Part number	Part name	Quantity
1	DUP01.02.0571	BOLT M8×20	4
2	DUP00.06.02.197	LEFT ROD	1
3	DUP01.03.0093	FLANGE LOCK NUT M8	4
4	DUP03.05.2.017	V BELT LG4-890	1
5	DUP00.06.02.137	SPRING	1
6	DUP01.03.0323	FLANGE LOCK NUT M10×1.25	2
7	DUP00.06.02.305	RIGHT ROD	1
8	DUP00.06.02.199	DRIVING TENTION ARM	1
9	DUP00.06.02.132	TENTION PULLEY SHAFT	1
10	DUP00.06.02.133	TENTION PULLEY	1
11	DUP01.05.1422	BEARING 6301-2RS	1
12	DUP01.04.1502	SNAP RING 37	1
13	DUP01.03.0303	LOCK NUT M10×1.25	1
14	DUP01.01.5134	"SCREW M10×30	1
15	DUP00.06.02.200	DRIVING TENTION ARM BUSHING	1
16	DUP01.04.0394	WASHER φ12×φ18×δ0.4	1
17	DUP01.03.0103	FLANGE LOCK NUT M10	1
18	DUP01.04.1302	BIG WASHER 10	1
19	DUP01.02.0193	FLANGE BOLT M10×1.25×40	1
20	DUP06.06.595	TENTION PULLEY BUSHING	1
21	DUP06.06.593	TENTION PULLEY	1
22	DUP00.06.02.201	PULL ROD	1

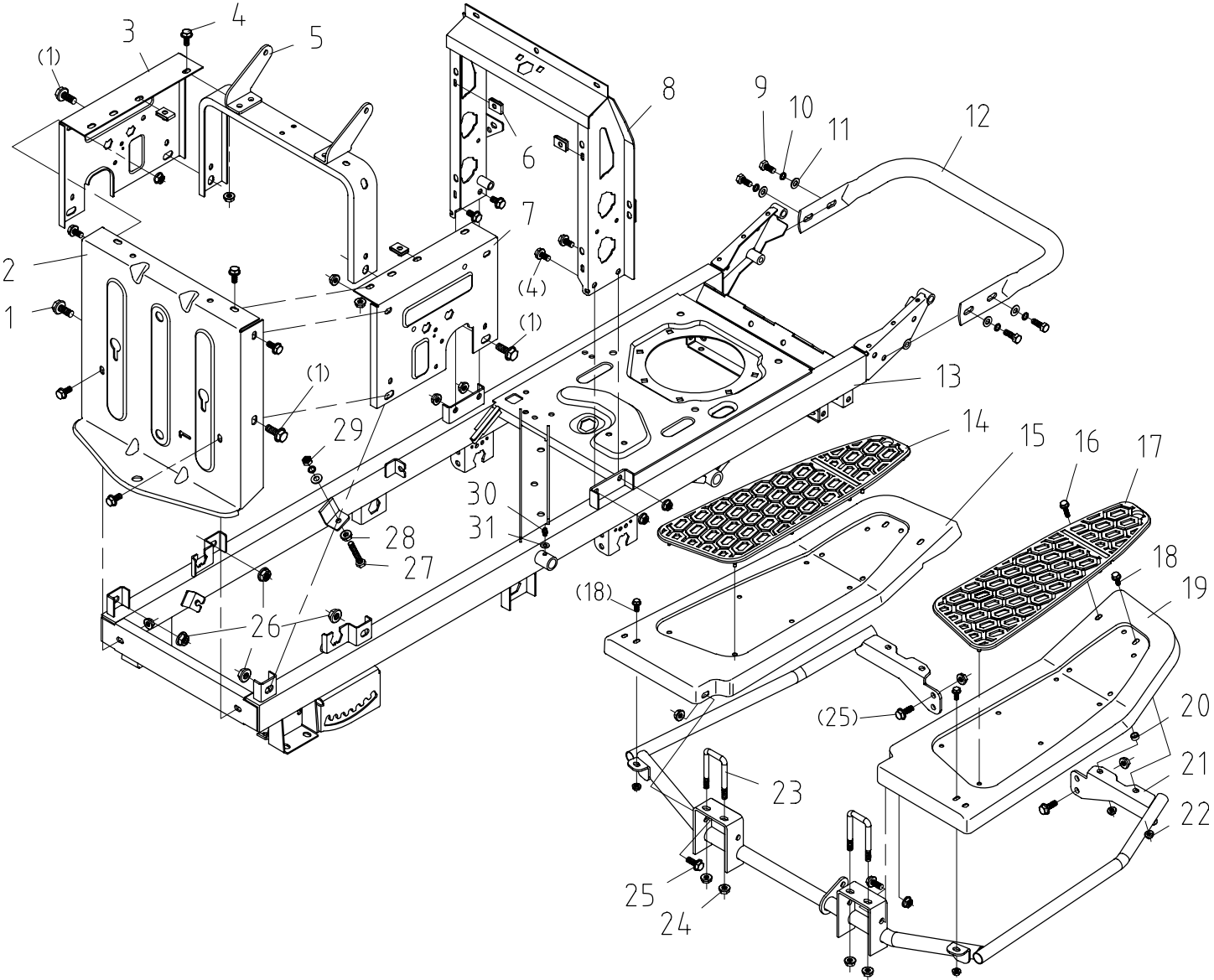
CLUTCH FOR CUTTING



CLUTCH FOR CUTTING

	Part number	Part name	Quantity
1	DUP03.05.2.015	V BELT 48X920 (AKX2337)	1
2	DUP01.01.5033	SCREW M6×20	4
3	DUP03.05.2.001	BRAKE SHOE	2
4	DUP00.06.02.138	CUTTING ARM	1
5	DUP01.03.0233	FLANGE LOCK NUT M6	4
6	DUP00.06.02.139	IDLENESS PULLEY	1
7	DUP00.06.02.140	BUSHING	1
8	DUP01.04.0522	WASHER $\phi 17.3 \times \phi 55 \times \delta 4$	1
9	DUP01.03.0323	FLANGE LOCK NUT M10×1.25	1
10	DUP06.06.593	TENTION PULLEY	1
11	DUP06.06.595	TENTION PULLEY BUSHING	1
12	DUP01.04.0314	SNAP RING 13	1
13	DUP01.04.0301	WASHER 6	2
14	DUP00.06.02.141	BRAKE SPRING R	1
15	DUP01.06.0022	OIL INJECTION NOZZLE	1
16	DUP01.04.0393	WASHER $\phi 14 \times \delta 0.4$	1
17	DUP00.06.02.142	BRAKE ARM R	1
18	DUP01.02.0193	FLANGE BOLT M10×1.25×40	1
19	DUP01.03.0123	FLANGE LOCK NUT M12×1.25	2
20	DUP03.05.1.017	BUSHING	1
21	DUP01.04.0395	WASHER $\phi 16 \times \phi 21 \times \delta 0.4$	1
22	DUP00.06.02.143	IDLENESS PULLEY SHAFT	1
23	DUPD43.0105.0001	CUTTING ROD R	1
24	DUP04.07.03.00606	HANDLE	1
25	DUP00.06.02.145	CLUTCH LEVER	1
26	DUP00.06.02.146	BRAKE SPRING L	1
27	DUP01.04.1203	WASHER $\phi 12 \times \delta 1$	1
28	DUP00.06.02.147	CUT DRIVE CABLE	1
29	DUP00.06.02.148	CLUTCH LEVER SPRING	1
30	DUP04.07.03.00706	HATCH BUSHING	2
31	DUP01.04.0373	WASHER 10	2
32	DUP06.03.338	SPRING PIN	4

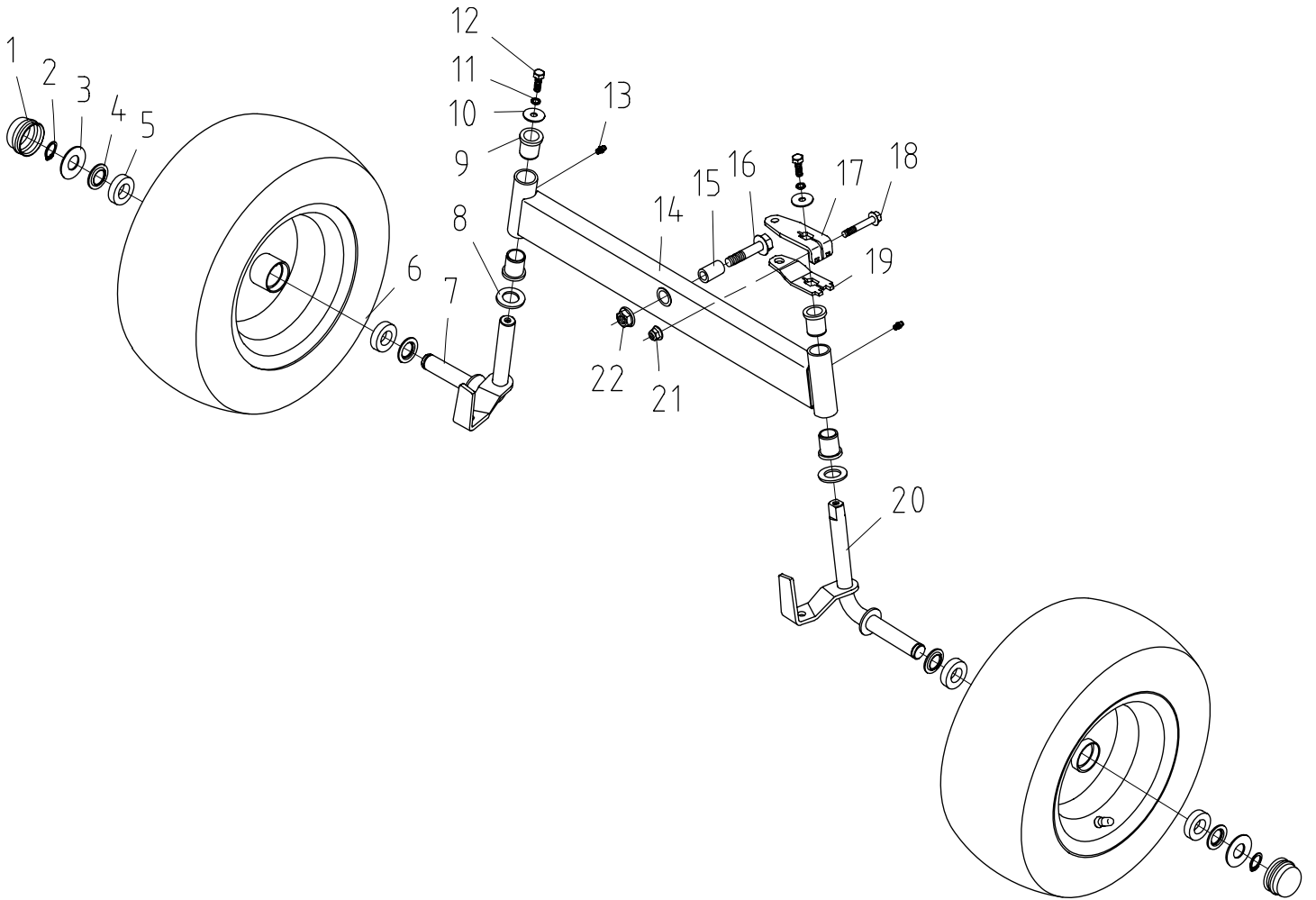
FRAME



FRAME

	Part number	Part name	Quantity
1	DUP01.02.0393	FLANGE BOLT M10×1.25×25	4
2	DUP00.06.02.102	REAR BRACKET	1
3	DUP00.06.02.103	LEFT BRACKET	1
4	DUP01.02.0601	FLANGE BOLT M8×16	12
5	DUP00.06.02.104	SEAT BRACKET	1
6	DUP01.03.0253	BUCKLE NUT M6	8
7	DUP00.06.02.105	RIGHT BRACKET	1
8	DUP00.06.02.106	STEERING BRACKET	1
9	DUP01.02.0433	BOLT M8×20	4
10	DUP01.04.1163	SPRING WASHER 8	5
11	DUP01.04.1301	BIG WASHER 8	5
12	DUP00.06.02.107	BUMPER	1
13	DUP00.06.02.196	FRAME	1
14	DUP04.07.03.00106	MAT L	1
15	DUP00.06.02.109	FOOT BOARD L	1
16	DUP01.02.0043	FLANGE BOLT M6×25	2
17	DUP04.07.03.00206	MAT R	1
18	DUP01.02.0056	FLANGE BOLT M6×16	4
19	DUP00.06.02.110	FOOT BOARD R	1
20	DUP00.06.02.111	BUSHING	2
21	DUP00.06.02.112	FOOT BRACKET	1
22	DUP01.03.0233	FLANGE LOCK NUT M6	6
23	DUP01.02.0750	U BOLT M8	2
24	DUP01.03.0093	FLANGE LOCK NUT M8	22
25	DUP01.02.0363	FLANGE BOLT M8×20	6
26	DUP01.03.0323	FLANGE LOCK NUT M10×1.25	5
27	DUP01.02.0511	BOLT M8×50	1
28	DUP01.03.0054	FLANGE NUT M8	1
29	DUP01.03.0273	NUT M8	1
30	DUP03.04.1.006	OIL INJECTION NOZZLE	1
31	DUP01.04.0301	WASHER 6	8

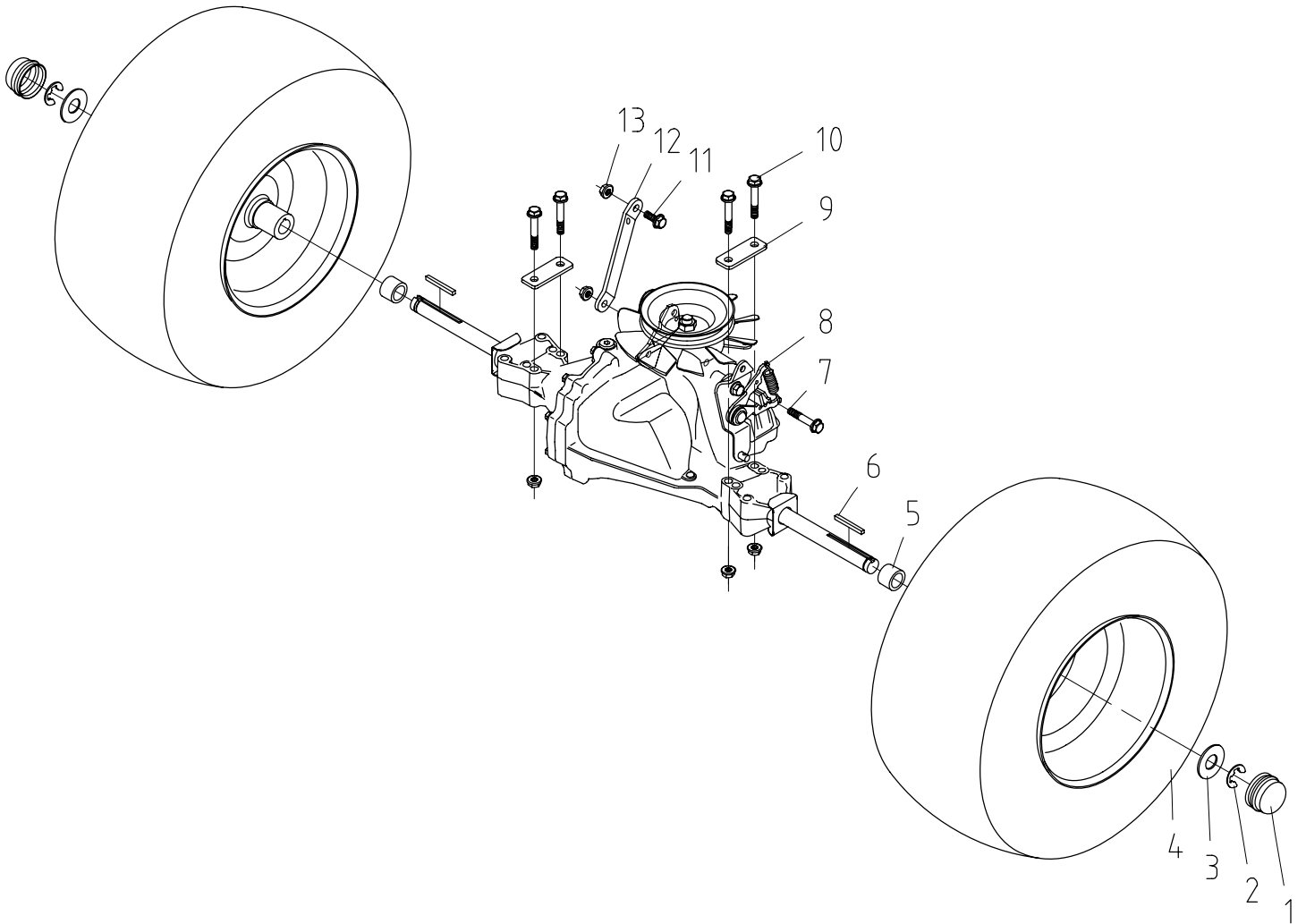
FRONT BRIDGE



FRONT BRIDGE

	Part number	Part name	Quantity
1	DUP06.06.472	HUB COVER	2
2	DUP01.04.0313	SNAP RING 19	2
3	DUP06.06.586	WASHER $\varphi 20 \times \varphi 43 \times 3$	2
4	DUP06.06.574	WASHER	4
5	DUP01.05.1230	BEARING 61904-2RZ	4
6	DUP00.05.02.01.001	FRONT WHEEL ASSEMBLY	2
7	DUP00.06.02.186	LEFT STUB AXLE	1
8	DUP01.04.0103	WASHER 20	2
9	DUP04.07.01.01401	BUSHING	4
10	DUP06.02.058	WASHER	2
11	DUP01.04.1163	SPRING WASHER 8	2
12	DUP01.02.0433	BOLT M8×20	2
13	DUP01.06.0022	OIL INJECTION NOZZLE	2
14	DUP00.06.02.188	FRONG AXLE	1
15	DUP06.02.189	LINER TUBE	1
16	DUP01.02.0404	FLANGE BOLT M12×1.25×60	1
17	DUP06.06.583	TURNNG ARM 2	1
18	DUP01.02.0163	FLANGE BOLT M8×50	1
19	DUP06.06.584	TURNNG ARM 1	1
20	DUP00.06.02.187	RIGHT STUB AXLE	1
21	DUP01.03.0093	FLANGE LOCK NUT M8	1
22	DUP01.03.0363	FLANGE LOCK NUT M12×1.25	1

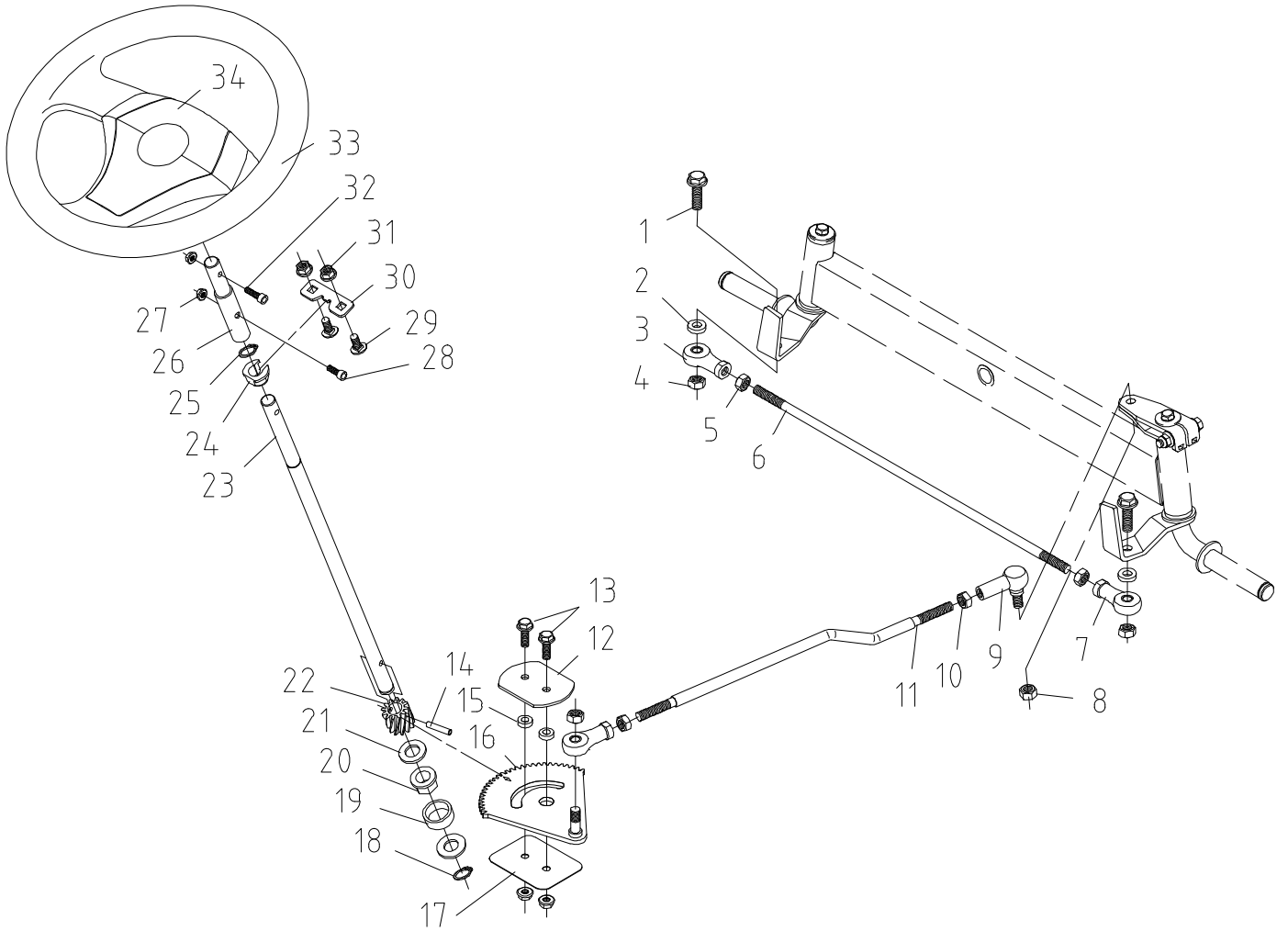
REAR BRIDGE



REAR BRIDGE

	Part number	Part name	Quantity
1	DUP06.06.472	HUB COVER	2
2	DUP01.04.0051	RETAINER RING 15	2
3	DUP06.06.586	WASHER $\varphi 20 \times \varphi 43 \times 3$	4
4	DUP00.05.02.01.002	REAR WHEEL ASSEMBLY	2
5	DUP06.06.588	SPACER RING	2
6	DUP01.06.0160	FLAT KEY 4.85×60	2
7	DUP01.02.0163	FLANGE BOLT 8×50	1
8	DUP06.06.589	HYDRO GEAR	1
9	DUP00.06.02..202	TIE PLATE	2
10	DUP01.02.0183	FLANGE BOLT 8×70	4
11	DUP01.02.0363	FLANGE BOLT 8×20	1
12	DUP00.06.02.203	CONNECTING PLATE	1
13	DUP01.03.0093	FLANGE LOCK NUT M8	6

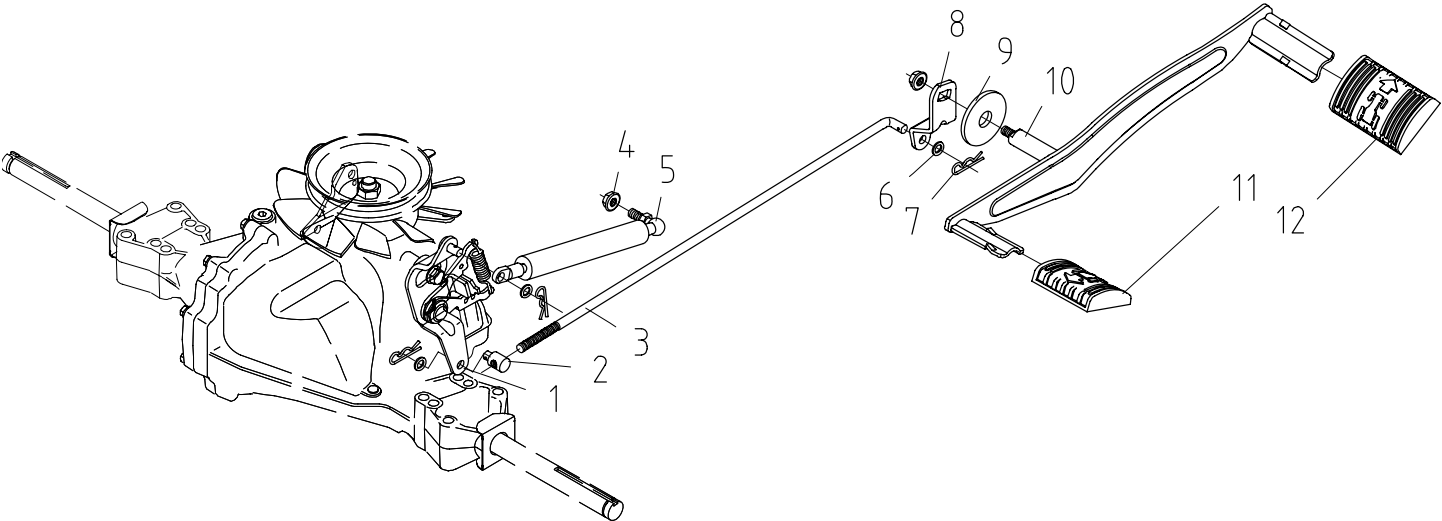
STEERING



STEERING

	Part number	Part name	Quantity
1	DUP01.02.0396	FLANGE BOLT M10×1.25×35	2
2	DUP01.04.1442	WASHER φ10.1×φ20×4	2
3	DUP01.05.1520	JOINT BEARING SIJK10C L	1
4	DUP01.03.0303	LUCK NUT M10×1.25	3
5	DUP01.03.0294	NUT M10 L	1
6	DUPD3901120007	PULL ROD	1
7	DUP01.05.1521	JOINT BEARING SIJK10C	2
8	DUP01.03.0441	LOCK NUT M10	1
9	DUP01.05.1451	JOINT BEARING M10	1
10	DUP01.03.0293	NUT M10	3
11	DUP00.06.02.120	LINK ROD	1
12		DOUBLE HOLE BOARD	1
13	DUP01.02.0531	FLANGE BOLT M8×25	2
14			1
15	DUP01.05.0091	PIN 6×26	1
16	DUP00.06.02.122	BUSHING	2
17	DUP00.06.02.123	STEERING SECTOR GEAR	1
18	DUPD39.0112.0010	TIE PLATE	1
19	DUP01.04.1491	SNAP RING 15	1
20	DUP04.07.02.05806	BUSHING	1
21	DUP04.07.01.01201	HEXAGON BUSHING	1
22	DUP01.04.0083	WASHER 16	2
23	DUP00.06.02.124	GEAR	1
24	DUP00.06.02.125	STEERING SHAFT	1
25	DUP04.07.01.01301	HATCH BUSHING	1
26	DUP01.04.1491	SNAP RING 15	1
27	DUP00.06.02.126	STEERING CONNECT SHAFT	1
28	DUP01.03.0233	FLANGE LOCK NUT M6	2
29	DUP01.01.2421	SCREW M6×30	1
30	DUP01.02.0571	SCREW M8×20	2
31	DUP00.06.02.127	SQUARE HOLE BOARD	1
32	DUP01.03.0093	FLANGE LOCK NUT M8	4
33	DUP01.01.2261	SCREW M6×35	1
34	DUP04.07.03.00406	STEERING WHEEL	1
35	DUP04.07.03.00506	STEERING WHEEL CAP	1

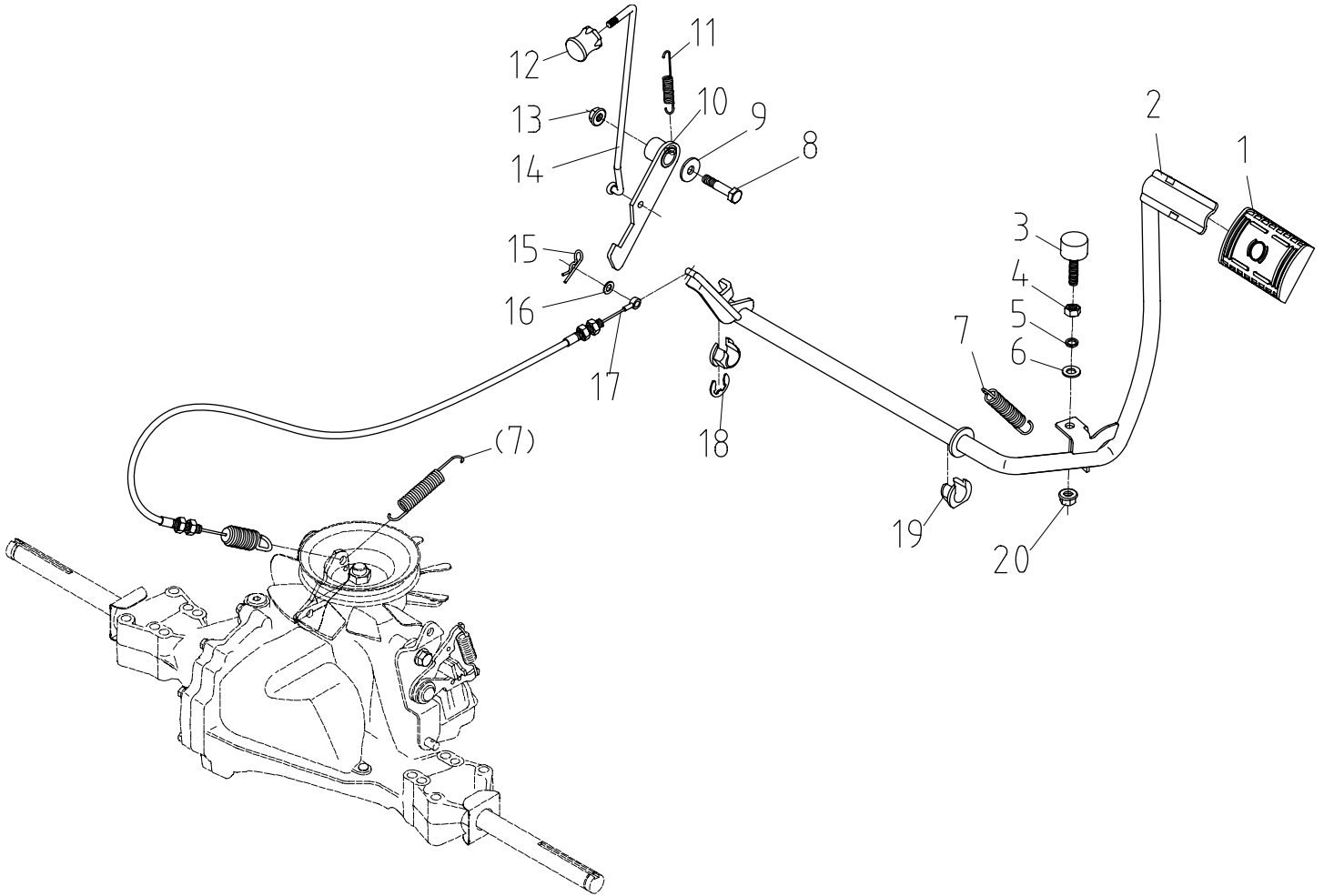
SHIFT



SHIFT

	Part number	Part name	Quantity
1	DUP00.06.02.210	CONTROL ARM	1
2	DUP06.02.203	GEAR SHIFT PIN	1
3	DUP00.06.02.204	SHIFT ROD	1
4	DUP01.03.0093	FLANGE LOCK NUT M8	8
5	DUP06.06.570	DAMPER	1
6	DUP01.04.0061	WASHER 8	3
7	DUP06.03.338	SPRING PIN	3
8	DUP00.06.02.205	SHIFT ARM	1
9	DUP01.04.0522	WASHER $\phi 17.3 \times \phi 55 \times \delta 4$	1
10	DUP00.06.02.206	SHIFT LEVER	1
11	DUP04.07.03.01306	REVERSE PEDAL	1
12	DUP04.07.03.01406	FORWARD PEDAL	1

BRAKE



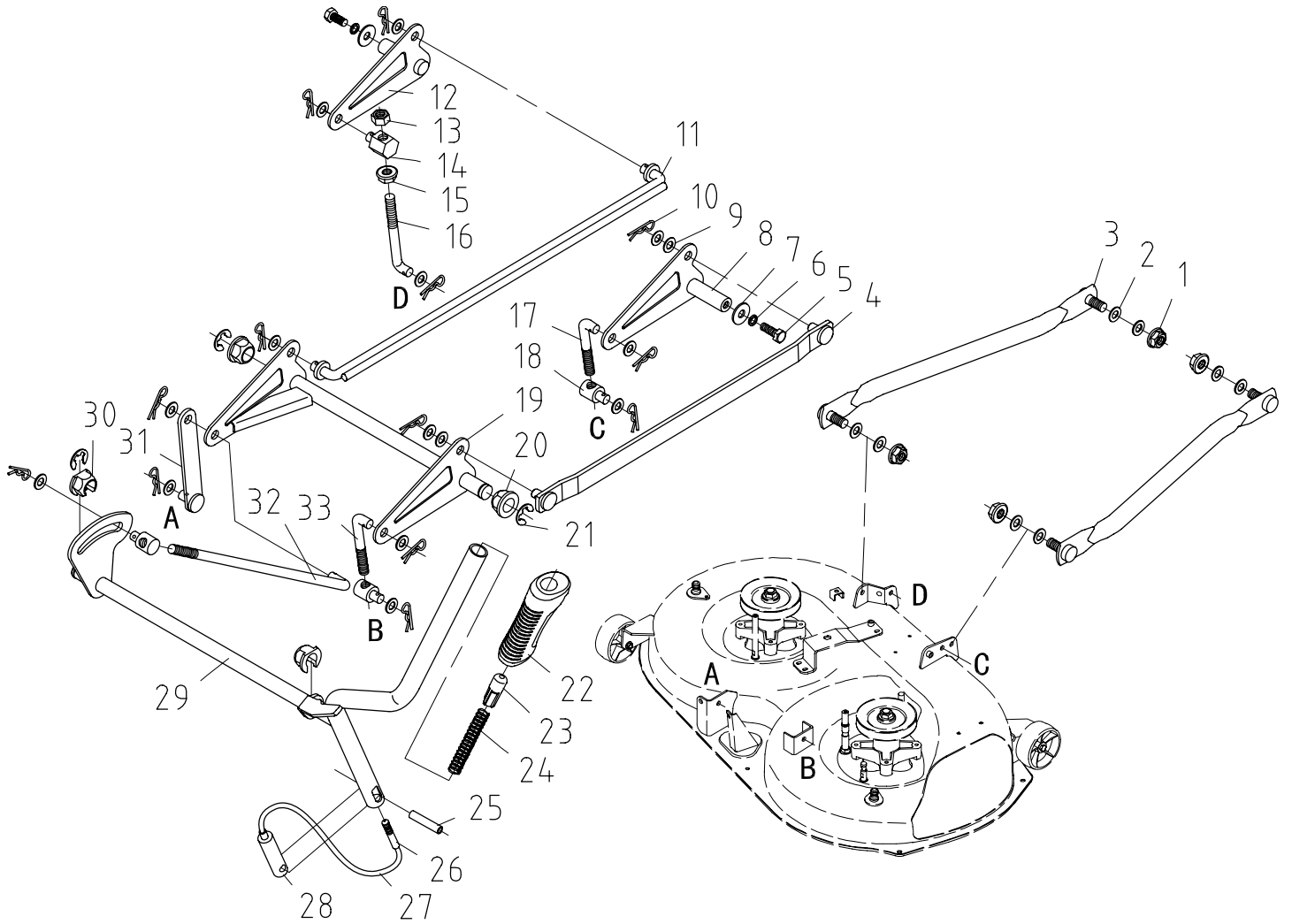
BRAKE

	Part number	Part name	Quantity
1	DUP04.07.01.09406	PEDAL	1
2	DUP00.06.02.209	BRAKE LEVER	1
3	DUP03.05.2.009	BUMPER CUSHION	1
4	DUP01.03.0273	NUT M8	1
5	DUP01.04.1163	SPRING WASHER 8	1
6	DUP01.04.1321	WASHER 8	1
7	DUP00.06.02.207	SPRING	2
8	DUP01.02.0263	FLANGE BOLT M8×45	1
9	DUP01.04.1301	BIG WASHER	1
10	DUP00.06.02.193	PARKING HOOK	1
11	DUP00.06.02.189	BRAKE SHOE RETURN SPRING	1
12	DUP04.07.03.01106	PARKING HANDLE	1
13	DUP01.03.0093	FLANGE LOCK NUT M8	1
14	DUP00.06.02.194	PARKING ROD	1
15	DUP06.03.338	SPRING PIN	1
16	DUP01.04.0301	WASHER 6	2
17	DUP00.06.02.208	BRAKE CABLE	1
18	DUP01.04.0243	RETAINER RING 12	2
19	DUP04.07.01.01301	HATCH BUSHING	2
20	DUP01.03.0054	FLANGE NUT M8	1

SEAT

	Part number	Part name	Quantity
1	DUP01.03.0093	FLANGE LOCK NUT M8	2
2	DUP	SEAT SPRING	2
3	DUP01.04.1301	BIG WASHER	2
4	DUP01.02.0363	FLANGE BOLT M8×20	6
5	DUP04.07.02.06506	SPRING CAP	2
6	DUP00.06.02.014	SPRING FLAKE	2
7	DUP01.01.1603	SCREW M5×12	4
8	DUP01.01.4171	SCREW M6×16	2
9	DUPD24.0115.0300	SEAT	1
10	DUP00.06.02.117	SEAT BRACKET	1
11	DUP00.06.02.118	PIN	1
12	DUP06.03.320	RETAINER RING 6	2
13	DUP06.03.329	SEAT SWITCH CONTACT	1
14	DUP01.03.0233	FLANGE LOCK NUT M6	2
15	DUP01.03.0063	FLANGE LOCK NUT M5	4

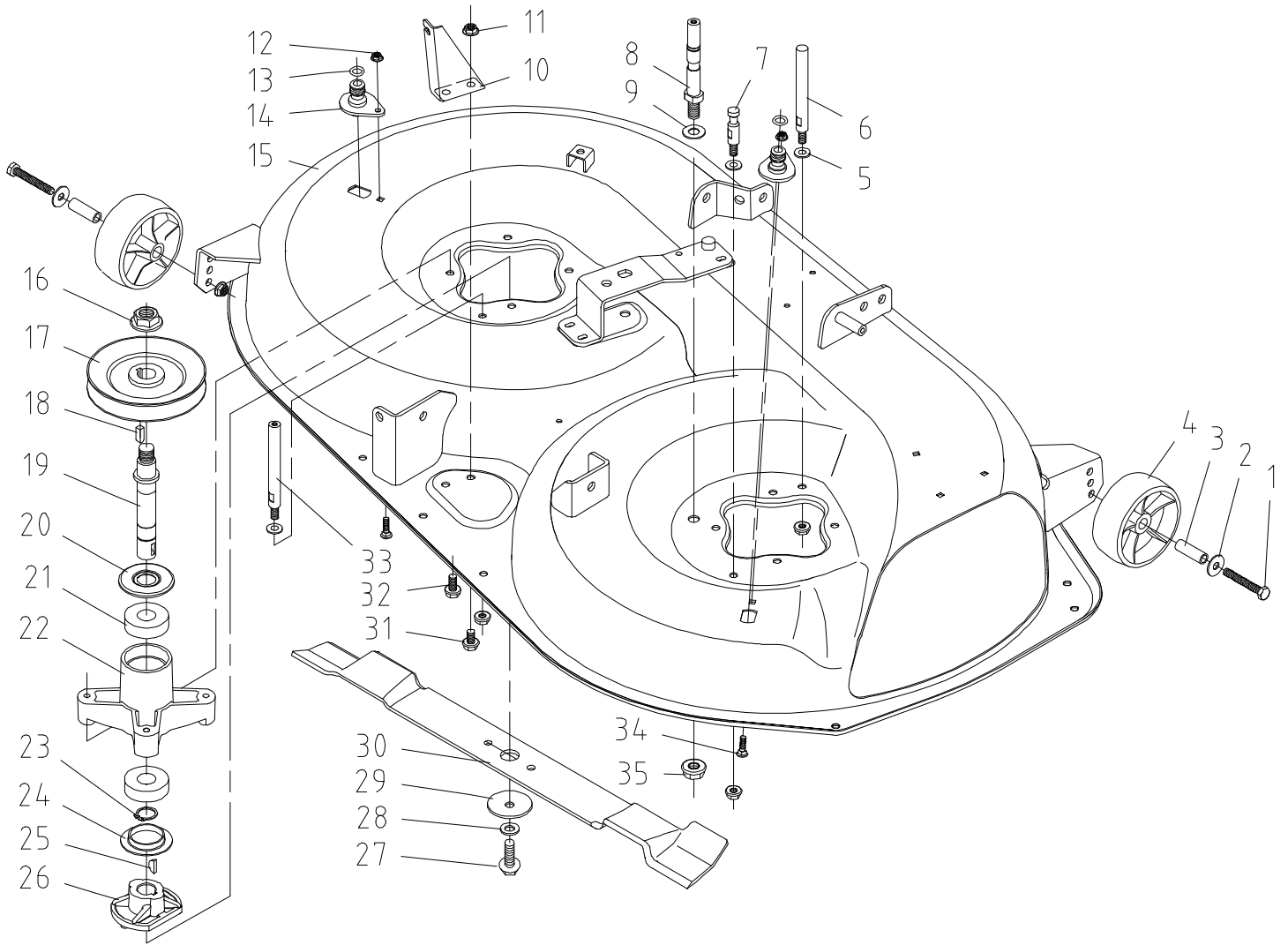
LIFT



LIFT

	Part number	Part name	Quantity
1	DUP01.03.0323	FLANGE LOCK NUT M10×1.25	4
2	DUP06.02.106	WASHER 10.2×19	8
3	DUP00.06.02.159	FRONT ROD	2
4	DUPD39.0216.0400	PUSHING ROD R	1
5	DUP01.02.0581	BOLT M8×16	2
6	DUP01.04.1163	SPRING WASHER 8	2
7	DUP01.04.1301	BIG WASHER 8	2
8	DUP00.06.02.161	FRONT ARM R	1
9	DUP01.04.0373	WASHER 10	15
10	DUP06.03.338	SPRING PIN	13
11	DUP00.06.02.163	PUSHING ROD L	1
12	DUP00.06.02.162	FRONT ARM L	1
13	DUP01.03.0303	LOCK NUT M10×1.25	1
14	DUP00.06.02.164	ADJUSTING PIN	1
15	DUP01.03.0173	FLANGE NUT M10×1.25	1
16	DUP00.06.02.165	ADJUSTING ROD FRONT L	1
17	DUP00.06.02.166	ADJUSTING ROD FRONT R	1
18	DUP06.06.428	ADJUSTING PIN	3
19	DUP00.06.02.167	REAR ARM	1
20	DUP04.07.01.01201	HEXAGON BUSHING	2
21	DUP01.04.0243	RETAINER RING 12	3
22	DUP04.07.01.01101	LIFT HANDLE	1
23	DUP04.07.03.00806	BUTTON	1
24	DUP00.06.02.168	PUSHING SPRING	1
25	DUP01.05.0121	SPRING PIN 8×40	1
26	DUP00.06.02.169	BOLT	1
27	DUP00.06.02.170	SPRING ROD	1
28	DUP00.06.02.171	PIN	1
29	DUP00.06.02.172	LEVER	1
30	DUP04.07.01.01301	HATCH BUSHING	2
31	DUP00.06.02.173	ROD L	1
32	DUP00.06.02.174	LIFT ROD	1
33	DUP00.06.02.175	REAR ADJUSTING ROD	1

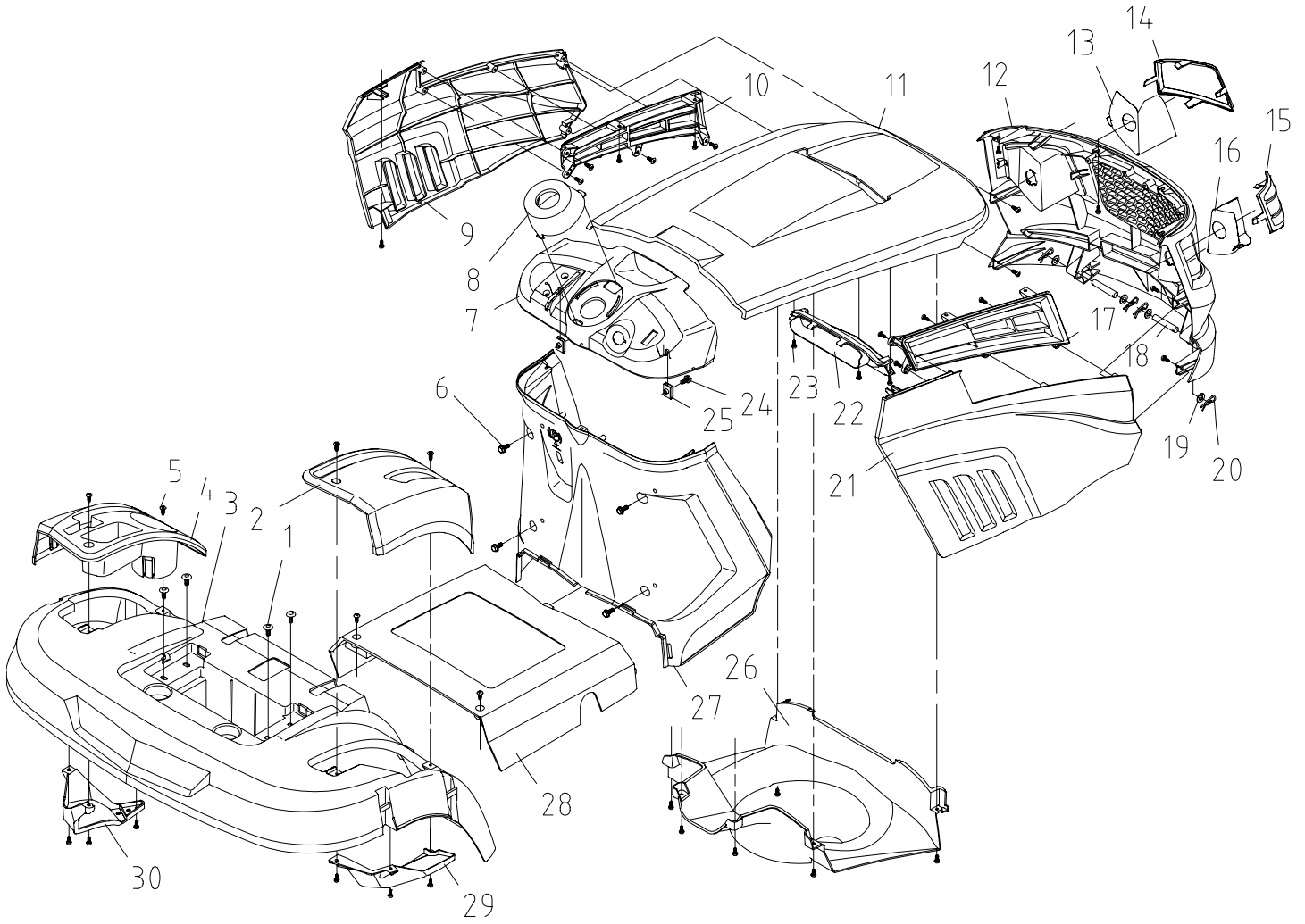
DECK AND BLADES



DECK AND BLADES

	Part number	Part name	Quantity
1	DUP01.02.0383	FLANGE BOLT M8×60	2
2	DUP01.04.1321	WASHER 8	2
3	DUP06.06.657	PIVOT TUBE	2
4	DUP04.07.02.07000	WHEEL	2
5	DUP01.04.1411	WASHER 8	3
6	DUP00.06.02.178	STUD	1
7	DUP00.06.02.179	POST	1
8	DUP00.06.02.180	PIVOT FOR RIGHT BRAKE	1
9	DUP01.04.0383	WASHER 12	1
10	DUP00.06.02.181	CABLE BRACKET	1
11	DUP01.03.0093	FLANGE LOCK NUT M8	7
12	DUP01.03.0233	FLANGE LOCK NUT M6	2
13	DUP01.06.0090	O RING 11.2×2.65	2
14	DUP04.07.01.00201	WATER NOZZLE	2
15	DUP00.06.02.303	DECK	1
16	DUP01.03.0333	NUT FOR BLADE AXLE	2
17	DUP06.02.181	PULLEY	2
18	DUP01.06.0070	FLAT KEY C6×18	2
19	DUP06.02.186	BLADE SPINDLE	2
20	DUPD40.0106.0406	Hood, Bearing	2
21	DUP01.05.1420	BEARING 6204-2RZ	4
22	DUP05.01.01.181	BLADE SEAT	2
23	DUP01.04.0313	SNAP RING 19	2
24	DUPD24.0117.0013	Hood, Bearing	2
25	DUP01.06.0080	HALFMOON KEY 4×16	2
26	DUP05.01.01.182	SLEEVE	2
27	DUP01.02.0323	Bolt	2
28	DUP01.04.0373	WASHER 10	2
29	DUP06.03.325	DISH WASHER	2
30	DUP00.06.02.304	BLADE	2
31	DUP01.02.0601	FLANGE BOLT M8×16	2
32	DUP01.02.0531	FLANGE BOLT M8×25	8
33	DUP00.06.02.184	STUD SCREW	1
34	DUP01.02.0223	SCREW M6×25	2
35	DUP01.03.0363	FLANGE LOCK NUT M12×1.25	1

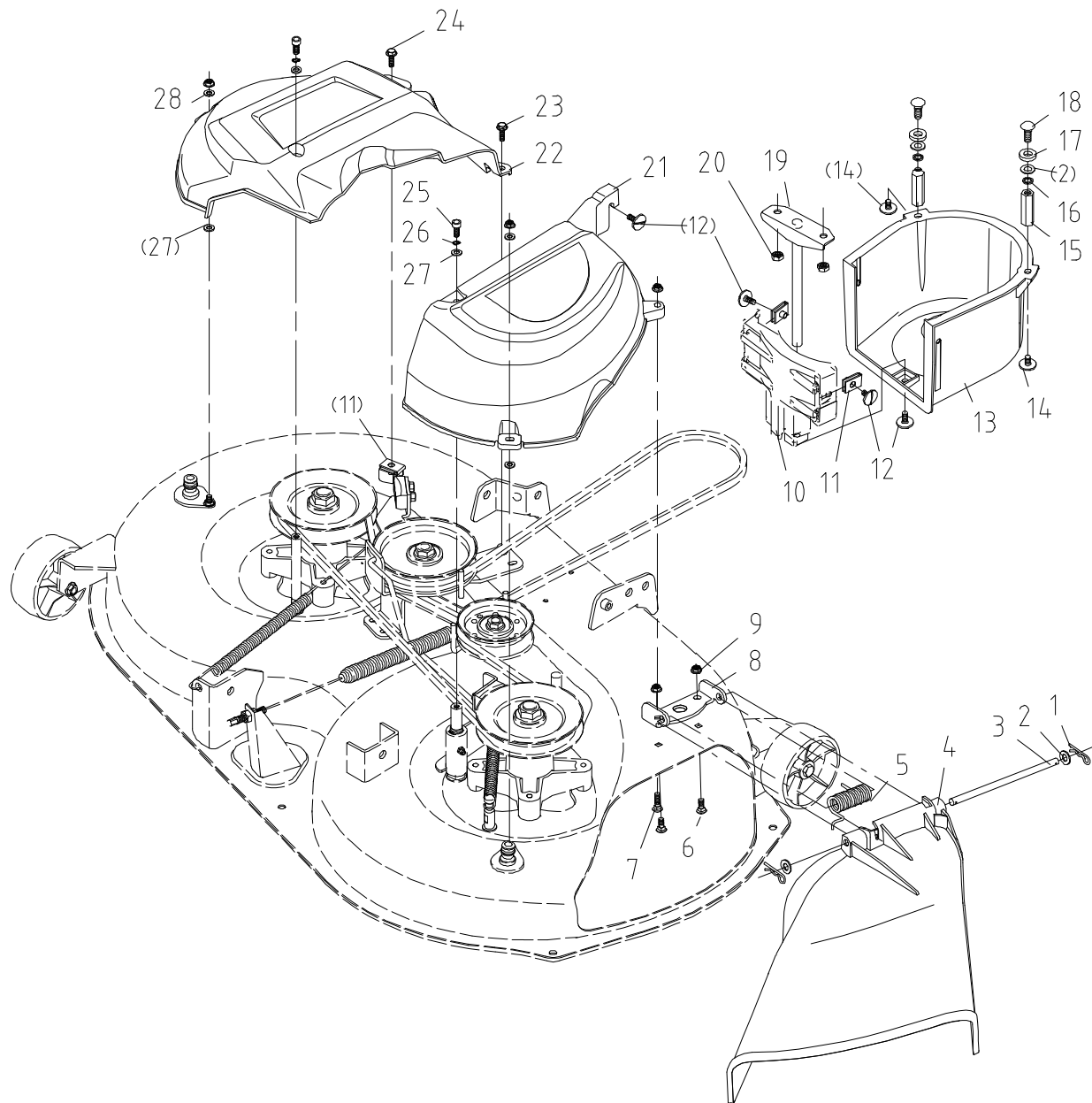
HOOD COVER



HOOD COVER

	Part number	Part name	Quantity
1	DUP01.01.2342	SCREW M6×16	4
2	DUP04.XCT98S.010000	LIFT COVER	1
3	DUP04.XCT98S.0203020	REAR COVER	1
4	DUP04.XCT98S.030000	SHIFT COVER	1
5	DUP01.01.4351	SCREW ST4.8×16	45
6	DUP01.02.0056	FLANGE M6×16	4
7	DUP04.XCT98S.040000	METER FACE	1
8	DUP04.XCT98S.050000	STEERING SHAFT CAP	1
9	DUP04.XCT98S.0603020	LEFT COVER	1
10	DUP04.XCT98S.100000	LEFT WINDOW	1
11	DUPD3901190013	ENGINE COVER	1
12	DUP04.XCT98S.120000	FRONT FACE	1
13	DUP00.06.02.176	REFLECTOR L	1
14	DUP04.07.03.00908	LIGHT COVER L	1
15	DUP04.07.03.01008	LIGHT COVER R	1
16	DUP00.06.02.177	REFLECTOR R	1
17	DUP04.XCT98S.110000	RIGHT WINDOW	1
18	DUP01.05.0202	PIN φ10×60	2
19	DUP01.04.0373	WASHER 10	4
20	DUP06.03.338	SPRING PIN	4
21	DUP04.XCT98S.0703020	RIGHT COVER	1
22	DUP04.XCT98S.130000	AIR INPUT OPENING	1
23	DUP01.01.1073	SCREW ST4.2×13F	5
24	DUP01.02.0056	FLANGE M6×16	2
25	DUP01.03.0253	BUCKLE NUT M6	2
26	DUP04.07.03.01206	AIR direction barrel	1
27	DUP04.XCT98S.140000	COVER AFTER STEERING SHAFT	1
28	DUP04.XCT98S.0903020	MIDST COVER	1
29	DUP04.XCT98S.150000	RIGHT PLATE	1
30	DUP04.XCT98S.160000	LEFT PLATE	1

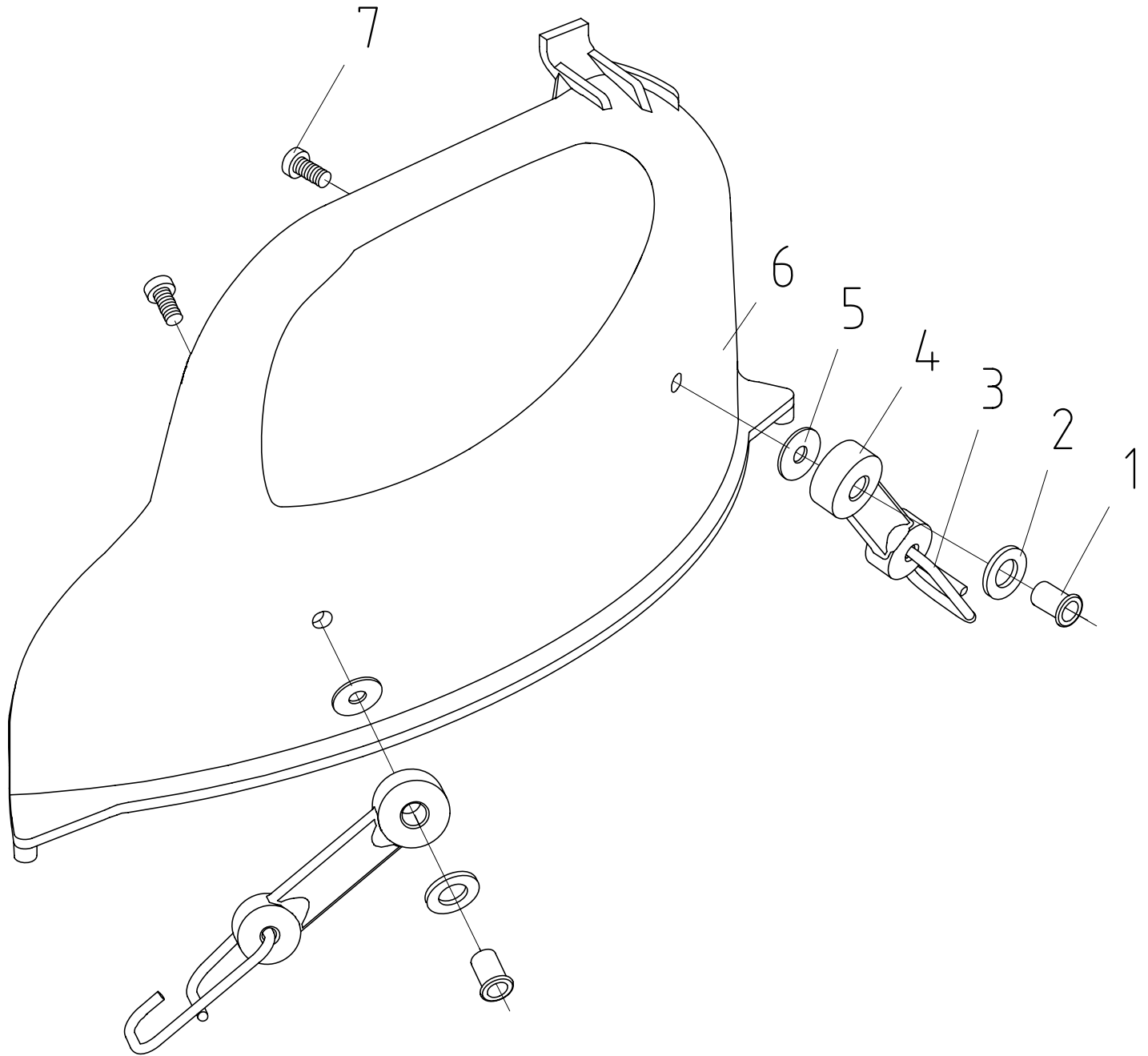
DISCHARGE GUARD AND BELT GUARD



DISCHARGE GUARD AND BELT GUARD

	Part number	Part name	Quantity
1	DUP06.03.338	SPRING PIN	2
2	DUP01.04.1411	WASHER 8	4
3	DUP01.05.0203	PIN $\varphi 8 \times 163$	1
4	DUP04.XCT98S.170000	DISCHARGE GUARD	1
5	DUP00.06.02.154	TORSION SPRING $\varphi 3 \times \varphi 18$	1
6	DUP01.02.0413	BOLT M6 \times 16	2
7	DUP01.02.0593	BOLT M6 \times 25	1
8	DUP00.06.02.185	HINGE	1
9	DUP01.03.0233	FLANGE LOCK NUT M6	5
10	DUP04.07.02.10107	REAR SHIELD	1
11	DUP01.03.0253	BUCKLE NUT M6	3
12	DUP01.01.2342	SCREW M6 \times 16	4
13	DUP04.07.02.10108	FRONT SHIELD	1
14	DUP01.01.2470	SCREW M6 \times 12	2
15	DUP04.07.02.10109	HEXAGONAL ROD	2
16	DUP01.04.1163	SPRING WASHER	2
17	DUP01.04.1442	WASHER $\varphi 10.1 \times \varphi 20 \times 4$	2
18	DUP01.02.0571	BOLT M8 \times 20	2
19	DUP04.07.02.10110	BRACKET	1
20	DUP01.03.0421	LOCK NUT M8	2
21	DUP04.07.02.10106	RIGHT SHIELD	1
22	DUP04.07.02.10006	LEFT SHIELD	1
23	DUP01.02.0063	FLANGE BOLT M6 \times 12	1
24	DUP01.02.0056	FLANGE BOLT M6 \times 16	1
25	DUP01.01.2341	BOLE M6 \times 16	2
26	DUP01.04.0311	SPRING WASHER	2
27	DUP01.04.1213	BIG WASHER 6	4
28	DUP01.04.0301	WASHER 6	2

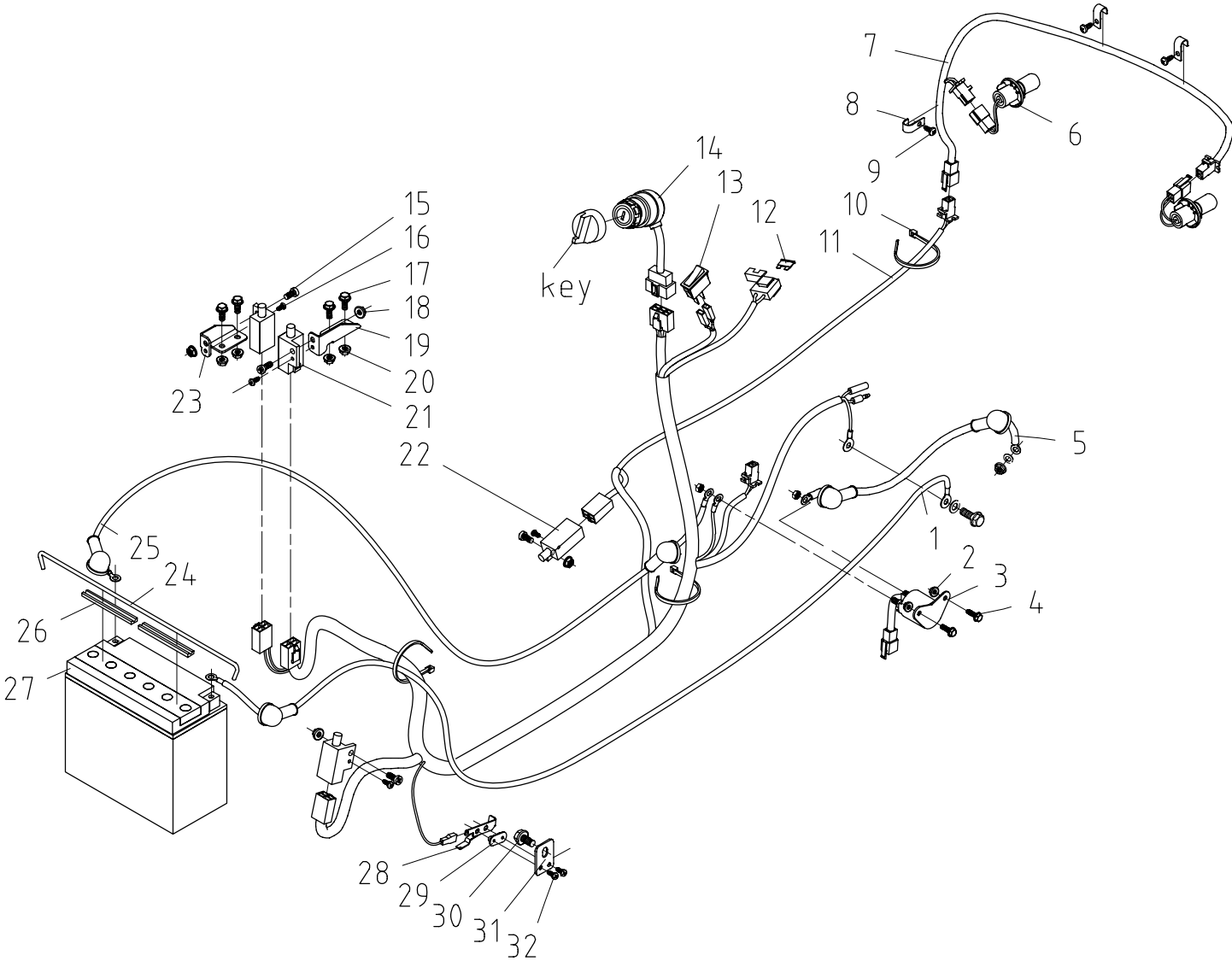
MULCH COVER



MULCH COVER

	Part number	Part name	Quantity
1	DUP01.03.0521	NUT M6×13.5	2
2	DUP01.04.1291	WASHER 10	2
3	DUP00.06.02.425	HOOK	2
4	DUP04.07.03.02006	Belt	2
5	DUP01.04.1341	WASHER 6	2
6	DUP04.07.03.02106	MULCH COVER	1
7	DUP01.01.4171	SCREW M6×16	2

ELECTRIC (LONCIN)



ELECTRIC (LONCIN)

	Part number	Part name	Quantity
1	DUP02.39.20	GROUND CABLE	1
2	DUP01.03.0063	FLANGE LOCK NUT M5	2
3	DUP02.33.119	STAR RELAY	1
4	DUP01.02.0021	BOLT M5×16	2
5	DUP02.39.21	POWER CABLE	1
6	DUPD40.0101.0100-1	FRONT LIGHT	2
7	DUP02.39.23	LIGHT WIRING	1
8	DUP02.35.21	CLIP	4
9	DUP01.01.4351	TAPPING SCREW ST4.8×16	4
10	DUP04.03.0003009	TIE BAND	20
11	DUP02.39.37	WIRING	1
12	DUP06.06.027	FUSE 15A 32V	1
13	DUP02.05.80	WIRING SWITCH	1
14	DUP02.05.67	ROTARY SWITCH	1
	DUP12.02.0041	Key	1
15	DUP01.01.4171	Screw M6X16	4
16	DUP01.01.1073	TAPPING SCREW ST4.2×13F	4
17	DUP01.02.0054	FLANGE BOLT M6×16	4
18	DUP01.03.0353	FLANGE NUT M6	4
19	DUP00.06.02.238	SWITCH BRACKET R	1
20	DUP01.03.0233	FLANGE LOCK NUT M6	4
21	DUP02.05.65	Double normally closed switch	2
22	DUP02.05.66	OPEN CLOSE SWITCH	2
23	DUP00.06.02.237	SWITCH BRACKET L	1
24	DUP00.06.02.150	BATTERY BOLT	1
25	DUP02.39.25	BATTERY CABLE	1
26	DUP03.05.1.003	RUBBER PLATE	2
27	DUP02.33.69	BATTERY 12V 18Ah	1
28	DUP06.03.180	Switch contact chip	1
29	DUP04.07.01.02101	Insulating strip	1
30	DUP01.02.0601	FLANGE BOLT M8×16	1
31	DUP06.03.181	Clamp	1
32	DUP01.01.1073	Tapping screw ST4.2X13F	2