

DUCAR

Diagramme de pièces *Parts diagram*



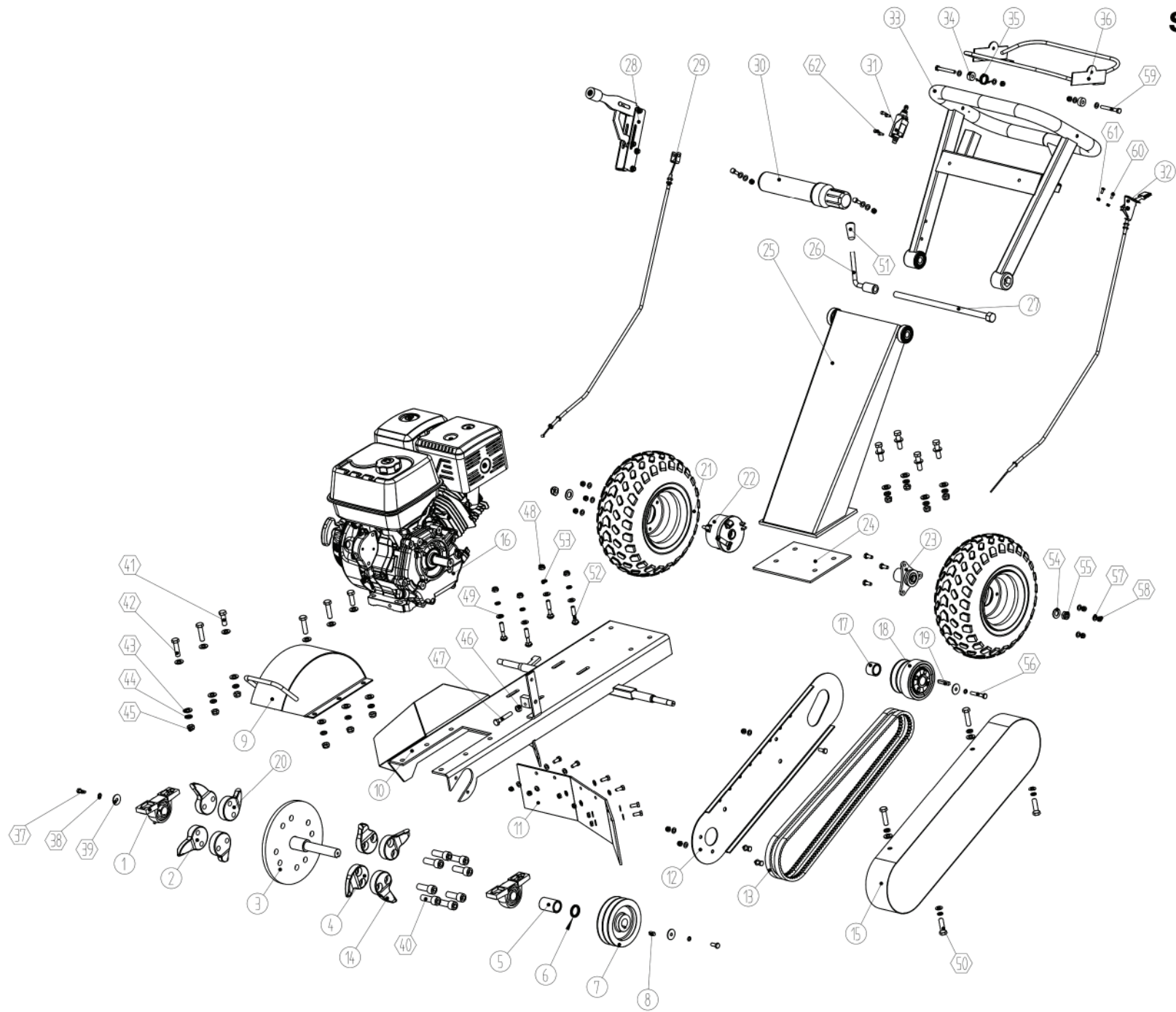
Le modèle peut différer légèrement de la photo / *The model may differ slightly from the picture*

SGR1500

Déchiqneteuse à souches *Stump grinder*

MTI
CANADA

SGR1500



Spare parts for the SGR1500 stump grinder			
NO.	PART NUMBER	DESCRIPTION	Qty
1	DUPSGR1500-1	BEARING	2
2	DUPSGR1500-2	TEETH-A	2
3	DUPSGR1500-3	CUTTER WHEEL	1
4	DUPSGR1500-4	TEETH-B	2
5	DUPSGR1500-5	AXLE SLEEVE-L	1
6	DUPSGR1500-6	BINDING RING	1
7	DUPSGR1500-7	BELT PULLEY	1
8	DUPSGR1500-8	KEY	1
9	DUPSGR1500-9	WHEEL CUTTER SHIELD	1
10	DUPSGR1500-10	FRAME	1
11	DUPSGR1500-11	RUBBER BAFFLE	1
12	DUPSGR1500-12	INNER BELT GUARD	1
13	DUPSGR1500-13	BELT	2
14	DUPSGR1500-14	TEETH-D	2
15	DUPSGR1500-15	BELT COVER	1
16	DUPSGR1500-16	ENGINE	1
17	DUPSGR1500-17	CRANKSHAFT SLEEVE	1
18	DUPSGR1500-18	CENTRIFUGAL CLUTCH	1
19	DUPSGR1500-19	CRANKSHAFT KEY	1
20	DUPSGR1500-20	TEETH C	2
21	DUPSGR1500-21	WHEEL	2
22	DUPSGR1500-22	DRUM BRAKE	1
23	DUPSGR1500-23	FLANGE	1
24	DUPSGR1500-24	RUBBER PAD	1
25	DUPSGR1500-25	HANDHOLD ASSEMBLY	1
26	DUPSGR1500-26	CLAMP HANDLE	1
27	DUPSGR1500-27	LONG HEXAGON BOLT M16x360	1
28	DUPSGR1500-28	BRAKE HANDLE	1
29	DUPSGR1500-29	BRAKE CABLE	1
30	DUPSGR1500-30	MANUAL HOLDER	1
31	DUPSGR1500-31	SWITCH	1
32	DUPSGR1500-32	THROTTLE CONTROLLER	1
33	DUPSGR1500-33	HANDRAIL	1
34	DUPSGR1500-34	SPRING PAD	2
35	DUPSGR1500-35	TORSION SPRING	1
36	DUPSGR1500-36	LEVER	1
37	DUPSGR1500-37	M8x20 HEX BOLT	16
38	DUPSGR1500-38	SPRING WASHER 8	4
39	DUPSGR1500-39	LOCK RING	3
40	DUPSGR1500-40	M16x45 INNER HEX CYLINDER HEAD BOLT	8

41	DUPSGR1500-41	M12x35 HEX BOLT	2
42	DUPSGR1500-42	M12x45 HEX BOLT	8
43	DUPSGR1500-43	FLAT WASHER 12	20
44	DUPSGR1500-44	SPRING WASHER 12	10
45	DUPSGR1500-45	M12 HEX LOCK NUT	10
46	DUPSGR1500-46	M10 HEX NUT	1
47	DUPSGR1500-47	M10X60 HEX BOLT	1
48	DUPSGR1500-48	M10 HEX LOCK NUT	6
49	DUPSGR1500-49	FLAT WASHER 10	8
50	DUPSGR1500-50	M10X100 HEX BOLT	1
51	DUPSGR1500-51	M10X110 HEX BOLT	1
52	DUPSGR1500-52	M10X50 STEP BOLT	4
53	DUPSGR1500-53	SPRING WASHER 10	4
54	DUPSGR1500-54	FLAT WASHER 14	2
55	DUPSGR1500-55	M14 HEX LOCK NUT	2
56	DUPSGR1500-56	M8X50 HEX BOT	1
57	DUPSGR1500-57	FLAT WASHER 8	31
58	DUPSGR1500-58	M8 HEX LOCK NUT	19
59	DUPSGR1500-59	M8X65 HEX BOLT	2
60	DUPSGR1500-60	M5X12 HEX BOLT	2
61	DUPSGR1500-61	M5 HEX LOCK NUT	2
62	DUPSGR1500-62	M5X12 INNER HEX CYLINDER HEAD BOLT	4